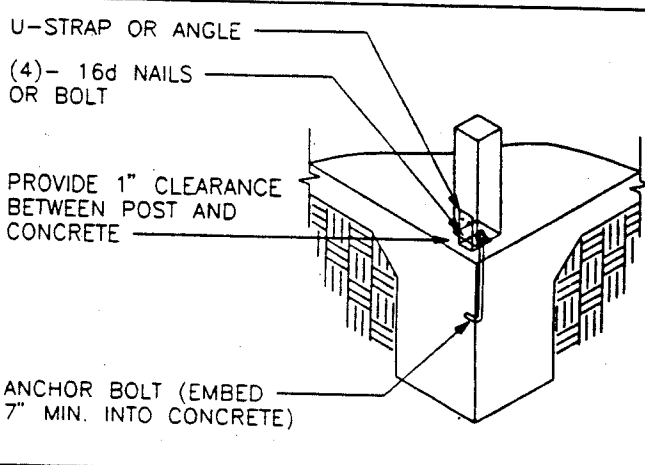
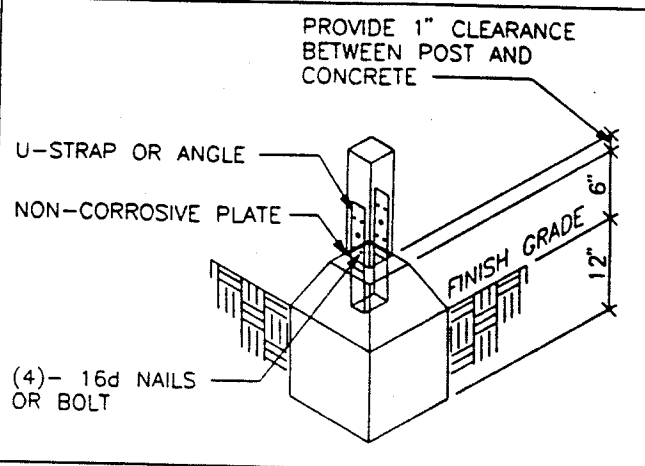
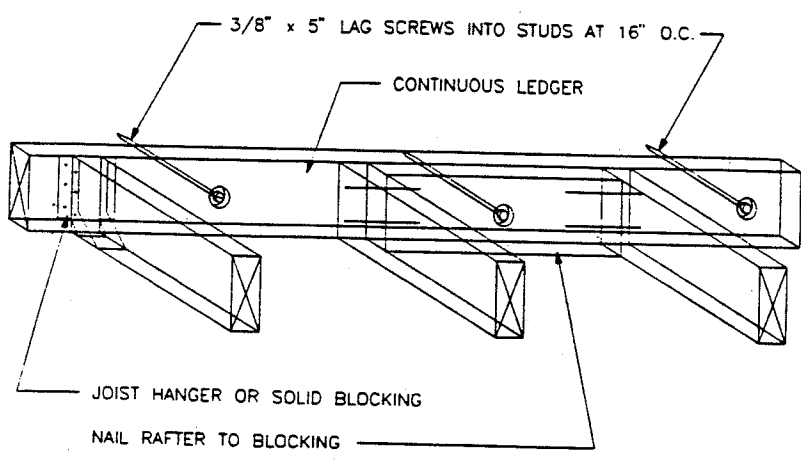


**NOTE:**  
 OPEN LATTICE PATIO COVERS MAY BE ATTACHED TO EXISTING FASCIA  
 VIA ONE 1/4" x 5" LAG SCREW THROUGH FASCIA INTO EACH RAFTER TAIL.



**BUILDING DEPARTMENT APPROVAL BELOW**

**TYPICAL PATIO COVER**

DATE OF APPLICATION	
OWNER'S NAME	
STREET ADDRESS	
CITY, ST ZIP	
TELEPHONE	
H.O.A. APPROVAL	

