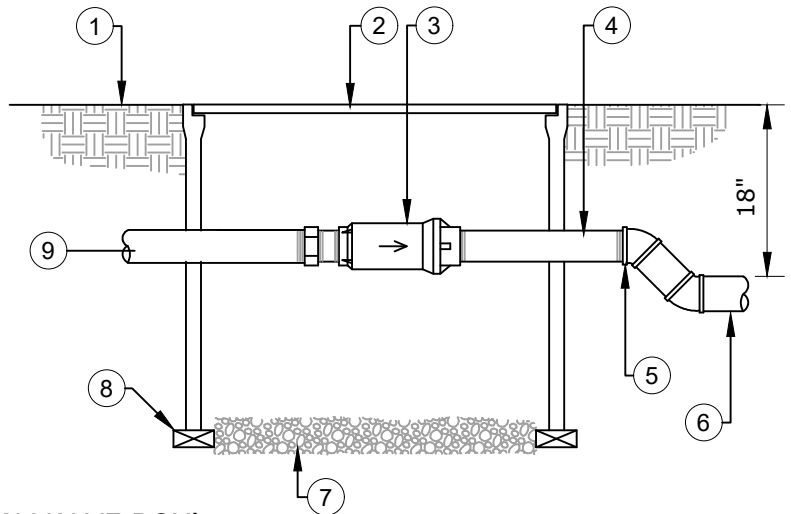


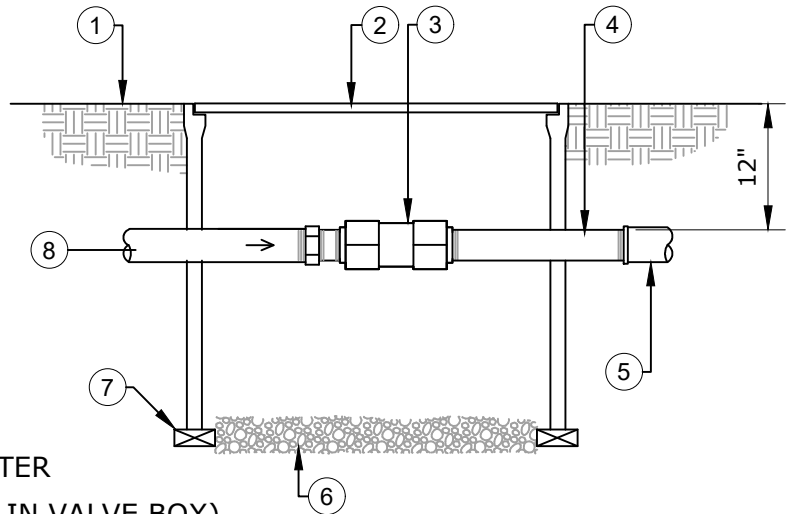
- ① FINISH GRADE
- ② STANDARD PLASTIC VALVE BOX
- ③ PRESSURE REGULATOR
- ④ 3/4" SCHEDULE 80 PVC NIPPLE
- ⑤ PVC FITTINGS AS REQUIRED
- ⑥ MAINLINE, TO R.C.V.
- ⑦ PEA GRAVEL - 12" DEEP (NO SOIL IN VALVE BOX)
- ⑧ BRICKS (4 TOTAL)
- ⑨ MAINLINE, TO P.O.C.



PRESSURE REGULATOR DETAIL






- ① FINISH GRADE
- ② STANDARD PLASTIC VALVE BOX
- ③ CHECK VALVE
- ④ 3/4" SCHEDULE 80 PVC NIPPLE
- ⑤ LATERAL, TO SPRINKLER OR EMITTER
- ⑥ PEA GRAVEL - 12" DEEP (NO SOIL IN VALVE BOX)
- ⑦ BRICKS (4 TOTAL)
- ⑧ LATERAL, TO R.C.V.



CHECK VALVE DETAIL



SCALE N.T.S.	REVISIONS		 APPROVED BY: CITY OF LA QUINTA	DESIGN AND DEVELOPMENT DEPARTMENT	STANDARD PLAN NO.
	NO.	DATE			779
			 BRYAN MCKINNEY PUBLIC WORKS DIRECTOR/CITY ENGINEER R.C.E. NO. 49418	11-4-2020 DATE	CHECK VALVE & PRESSURE REGULATOR DETAILS