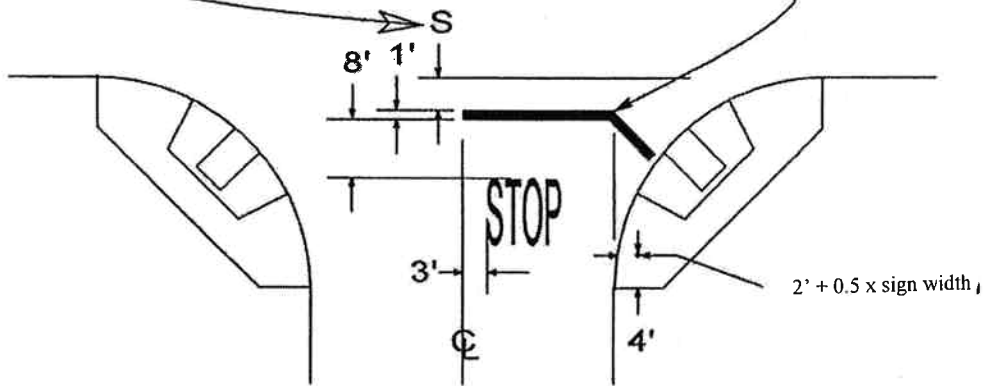
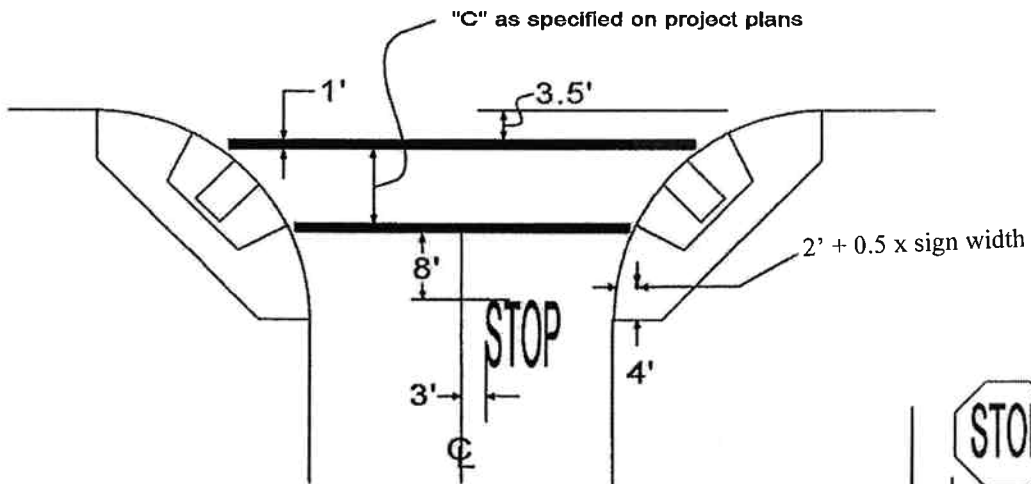


S = 4' with 6' cross gutters; S = 8' with 10' cross gutters

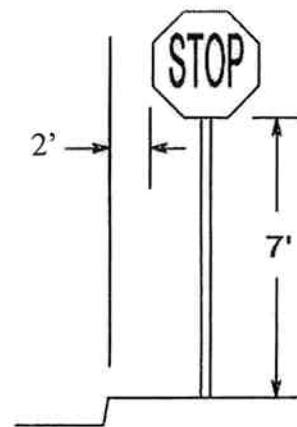
45 degree angle at prolonged curblines



Case A - with no crosswalk



Case B - with crosswalk



TYPICAL LAYOUT
TWO LANE STREET