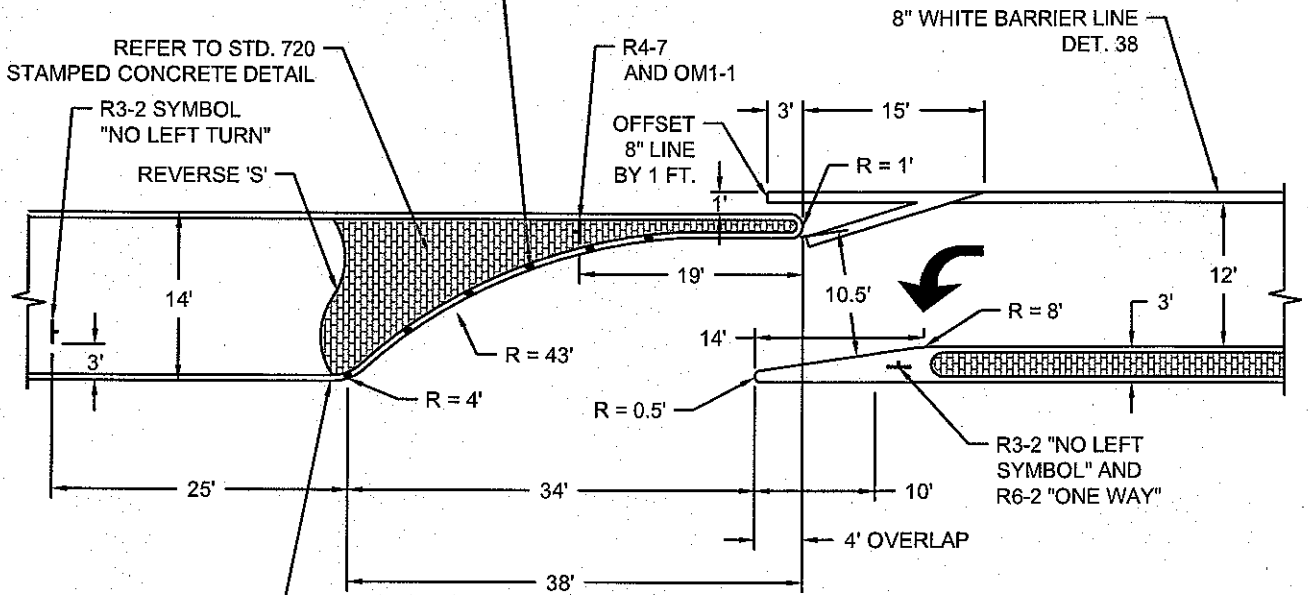
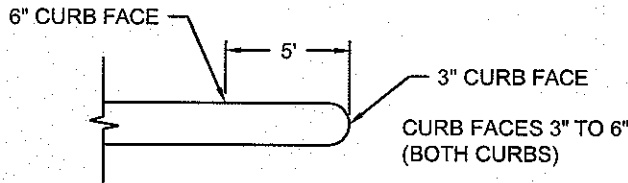
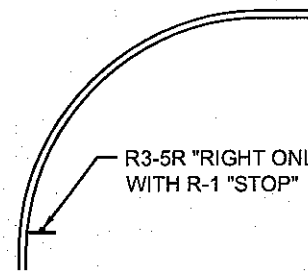
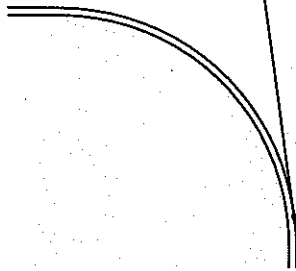


RED RPM ON CURB TOP FACING SIDE STREET,
5' O.C., WHITE W/REFLECTIVE RED, ZUMAR
MODEL 953 OR APPROVED EQUAL RED
REFLECTIVE SURFACE FACING SIDE STREET





ALIGN CURBS



DEPRESSED MEDIAN NOSE DETAIL

NOTE: HORIZONTAL CONTROL DIMENSIONS SUBJECT TO SIDE STREET GEOMETRY ADJUSTMENT.

	REVISIONS		DEPARTMENT OF PUBLIC WORKS ENGINEERING DIVISION		STANDARD PLAN No.
	No.	DATE			
			LEFT TURN RESTRICTOR WITH 14FT MEDIAN	SHEET 1 OF 1	