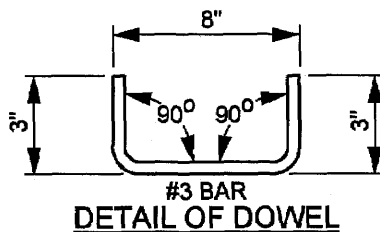


THE OUTER EDGES OF THE WALLS SHALL CONFORM TO THE STREET OR LOCAL DEPRESSION SURFACE. THE GRATING SHALL BE LAID IN THE PLANE OF THIS SURFACE, SEE STD. NO. 331 CASE B FOR GUTTER DEPRESSION.

**PLAN**

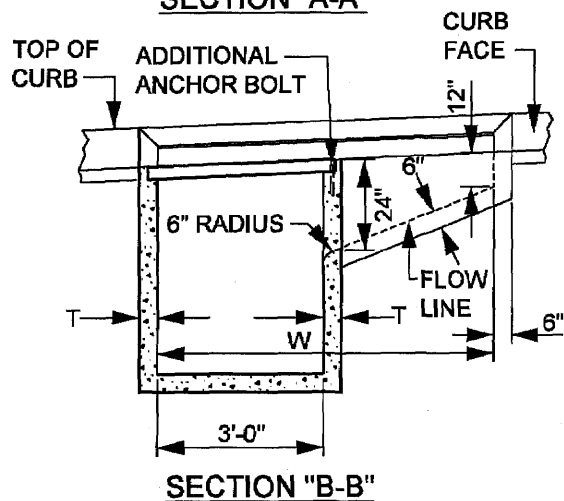
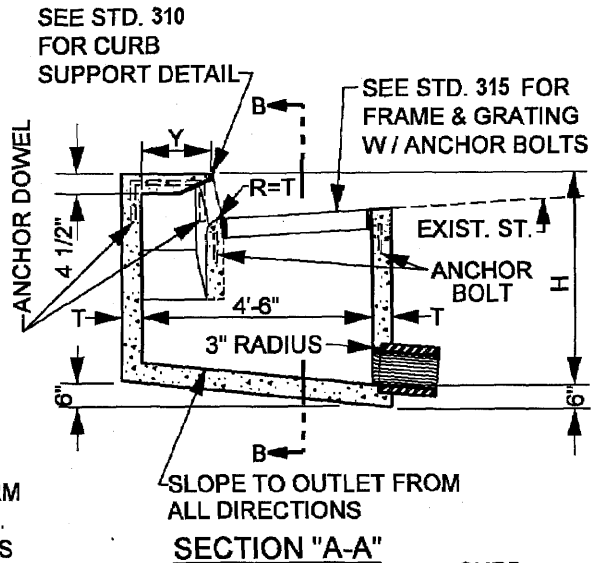


**NOTES:**

1. DIMENSIONS UNLESS OTHERWISE SPECIFIED \*

Y	W	T	H
2' 3"	7'*	6"*	4' 6"*
		6"	5' OR LESS
		8"	5' TO 8'
		10"	8' OR GREATER

- CONCRETE SHALL BE CLASS "A" PORTLAND CEMENT CONCRETE (6 SACK).
- THE REINFORCING STEEL SHALL BE NUMBER 4 DEFORMED BARS. CLEARANCE SHALL BE 1 1/2" FROM THE BOTTOM OF THE SLAB.
- THE SURFACE OF ALL EXPOSED CONCRETE SHALL CONFORM TO SLOPE, GRADE COLOR, FINISH, AND SCORING IN THE EXISTING OR PROPOSED CURB AND WALK ADJACENT TO THE BASIN. THE BASIN FLOOR SHALL BE GIVEN A TIGHT WOOD FLOAT FINISH. CURVATURE OF THE LIP AND SIDEWALLS AT THE GUTTER OPENING SHALL NOT BE MADE BY PLASTERING. THE OUTLET PIPE SHALL BE TRIMMED TO FINAL SHAPE AND LENGTH BEFORE THE CONCRETE IS POURED.
- STEPS: 3/4" PLAIN ROUND NON-GALVANIZED STEEL STEPS, OR MATERIAL AS APPROVED BY THE CITY ENGINEER, SHALL BE INSTALLED 18 INCHES APART WHEN H EXCEEDS 4 FEET 6 INCHES. THE TOP STEP SHALL BE 6 INCHES BELOW THE TOP SURFACE AND SHALL BE 2 1/2 INCHES CLEAR FROM THE WALL. ALL OTHER STEPS SHALL BE 4 INCHES CLEAR OF THE WALL. ONLY ONE STEP 12 INCHES FROM THE BOTTOM SHALL BE INSTALLED IF H IS 4 FEET 6 INCHES OR LESS. ALL STEPS SHALL BE ANCHORED NOT LESS THAN 4 INCHES INTO THE WALL OF THE BASIN.



R.C.T.D. STD. NO. 301

**REVISIONS:**

APPROVED 08/21/01
CHRIS A. VOGT CITY ENGINEER RCE 44250



*City of La Quinta*

**COMBINATION INLET CATCH  
BASIN NO. 2**

STANDARD
301
SHEET 1 OF 1