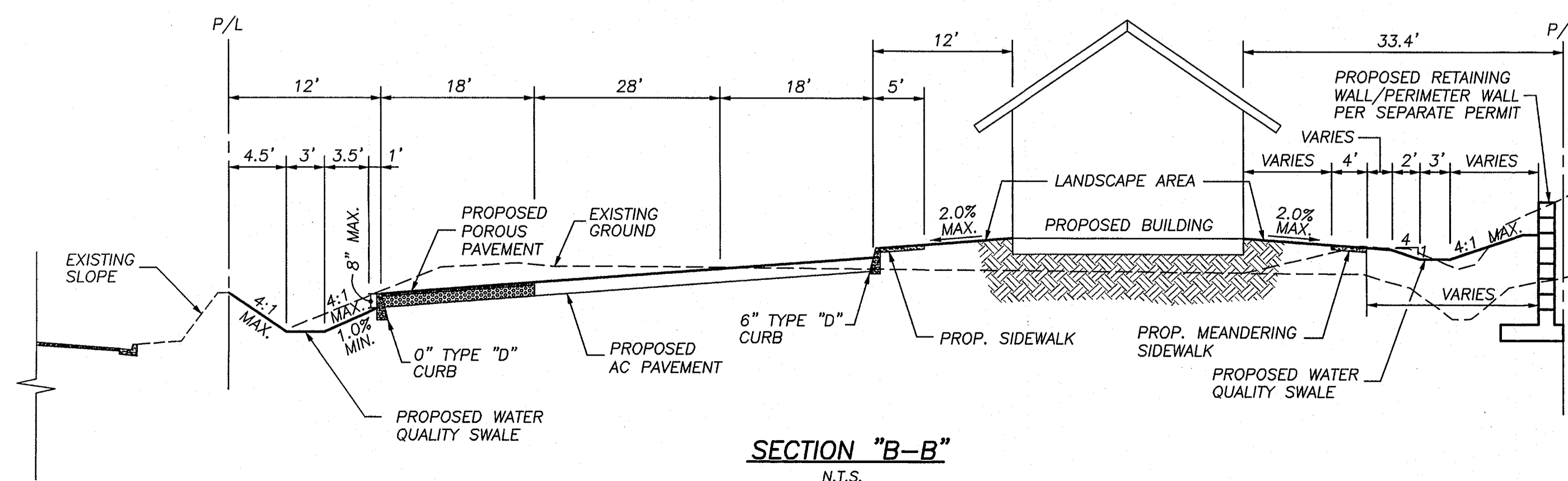
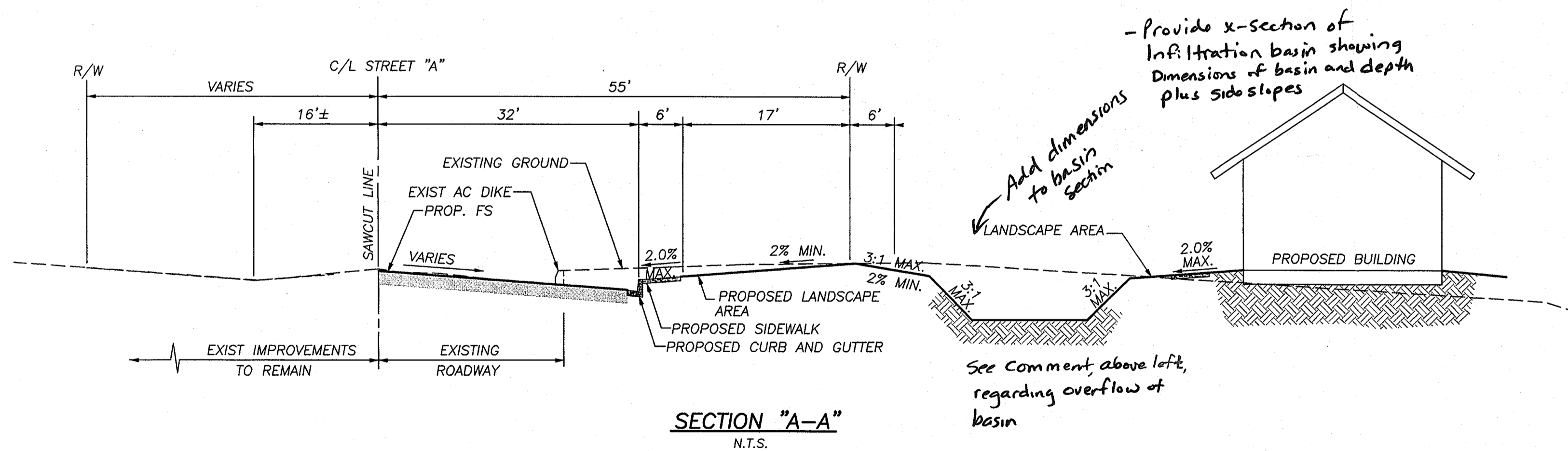
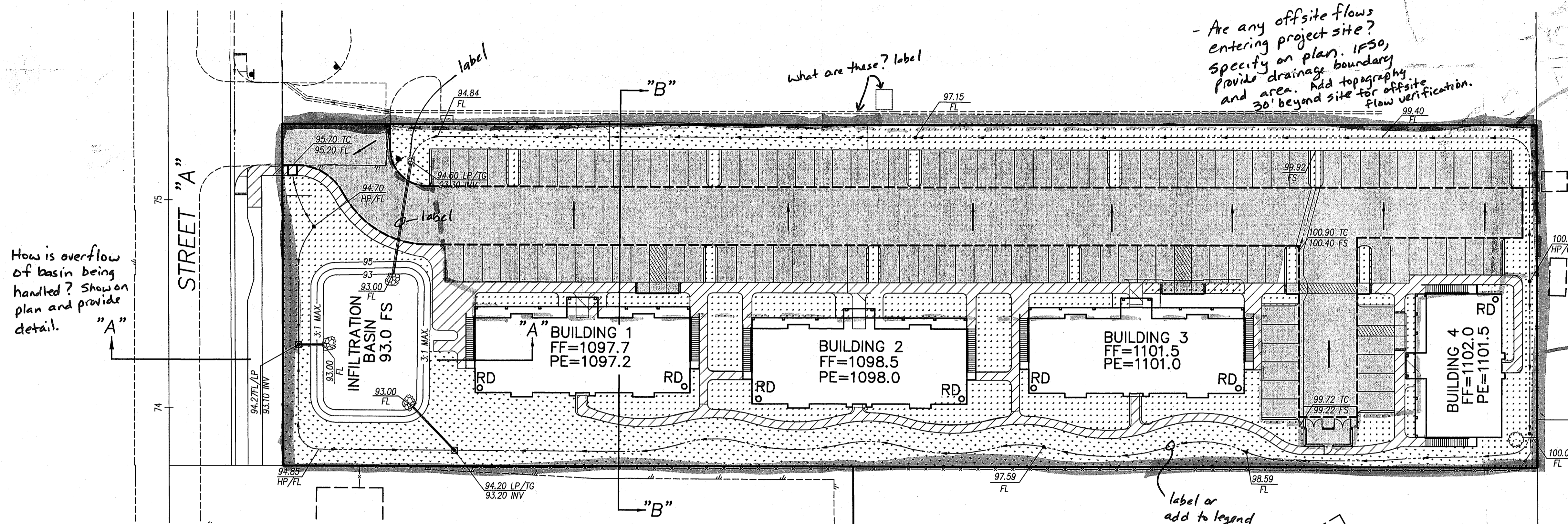


FINAL WATER QUALITY MANAGEMENT PLAN

ABC BUSINESS PARK

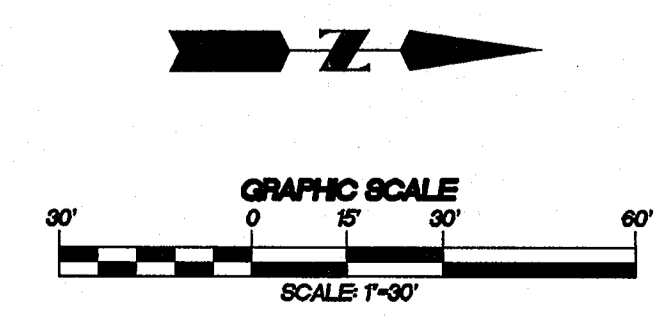
CITY OF COACHELLA, CALIFORNIA



- Provide pre and post topography.
- Provide landscape plan for review against BMP locations.
- Show all existing and proposed storm drain.
- Show/label point where onsite flows exit the property.
- Show proposed drainage boundaries for each of the two BMPs: swale and Basin. (See example shown above).

LEGEND:

	AC PAVEMENT
	LANDSCAPE AREA
	SIDEWALK AREA
	ROOF DRAIN LOCATION



Example Review
Plan Check Comments
Return With Next Submittal

SHEET 1	CITY OF COACHELLA ENGINEERING DEPARTMENT	SHEETS 1
---------	---	----------

ABC ENGINEERING
ABC BUSINESS PARK
F - WQMP SITE PLAN

C:\word processing\job related\14 - Riverside County Flood Control\14-117 Desert WQMP 2009\Hardouts\ Coachella ABC Business Park Site Plan051409.dwg
 05/20/09 12:05